

# Electrical wiring of endpins in acoustic guitars

For acoustic guitars there are 2-, 3- and 4- connector endpins on the market.

2 connectors: Sleeve (ground) at the cable clamp.  
One solder pin for Tip = „hot“.  
Only used for passive guitars without battery.  
Often sold as „mono-type“



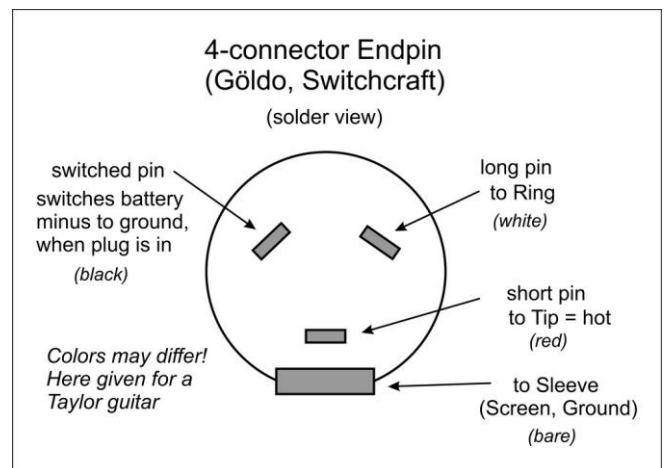
3 connectors: Sleeve (ground) at the cable clamp.  
In most cases the long solder pin = Ring = battery minus.  
The short solder pin = Tip = Hot.  
If a mono jack is plugged in, the Ring-contact (minus battery) is connected with ground by the jack, and so the electronic is supplied with power.  
Wire colors may differ from guitar brand to brand, therefore not mentioned here!  
Often sold as „stereo-type“



4 connectors:  
Have a separate switched contact for battery minus, which switches power with both mono and stereo jacks.  
So the Ring-contact may be used as a second „hot“ audio output (maybe for a microphone output).  
May be left unconnected, if not used.



Wiring see picture right!  
Colors for a Taylor guitar! May differ!  
Often sold as 4-connector-„stereo-type“



## TIP

A very useful tool for attaching and mounting a endpin, especially if you have big hands ... See below.

Two stiff brass wires soldered to the shaft of a 1/4" jack!



Good luck!  
Sigi Flamisch  
www.flamisch.at  
2019